

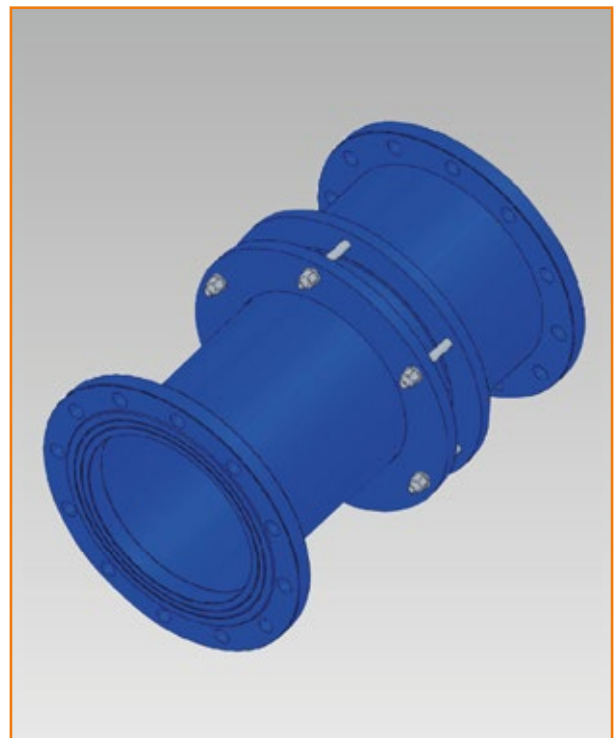


DISMANTLING JOINT TYPE KPD/DS2

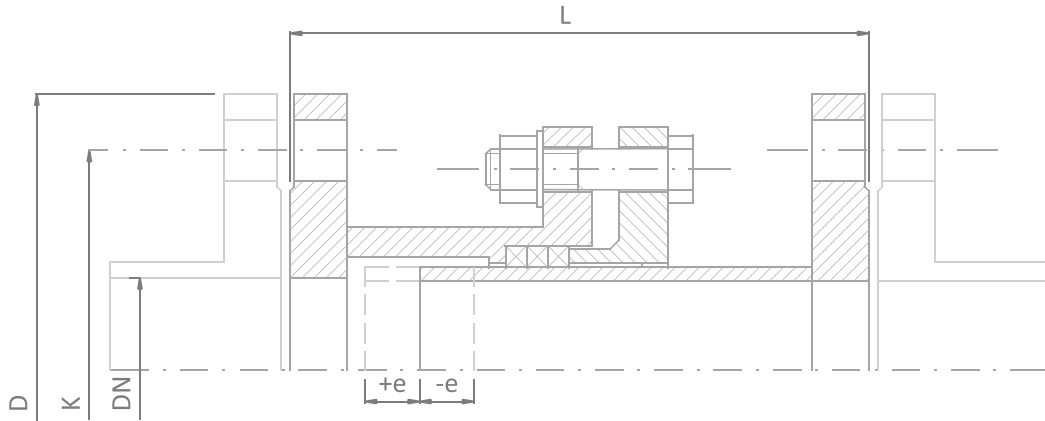
- dismantling joint with axial mounting clearance, applied for installing and removing various types of shut-off and regulating valves,
- stuffing box packing design allows dynamic compensation of axial displacements,
- possibility of customising face to face length and flange connections,
- dismantling joint is intended for operation with air, gas, drinking water, process water, sewage and other media,
- all stainless steel elements undergo etching and passivation by dipping or spraying,
- dismantling joint KPD/DS2 is used in water supply management and waste-water treatment, power generation, mining, chemical, petrochemical, metallurgical, cement and paper industries.

TECHNICAL DATA

Flange drilling:	PN 2,5; PN 6; PN 10; PN 16; PN 25 or others
Nominal diameter:	DN 50 to DN 2400. Customised diameters and diameters above DN 2400 made to special orders
Material:	carbon steels, stainless steels, acid resistant steels or others
Corrosion protection:	primer painting, epoxy/bitumen, coating, zinc plating or hot dip galvanization, etching and passivation (stainless and acid resistant steels)
Seal:	Graphite, Teflon or others
Standardized elements:	galvanized, A2, A4



Dismantling joint type KPD/DS2



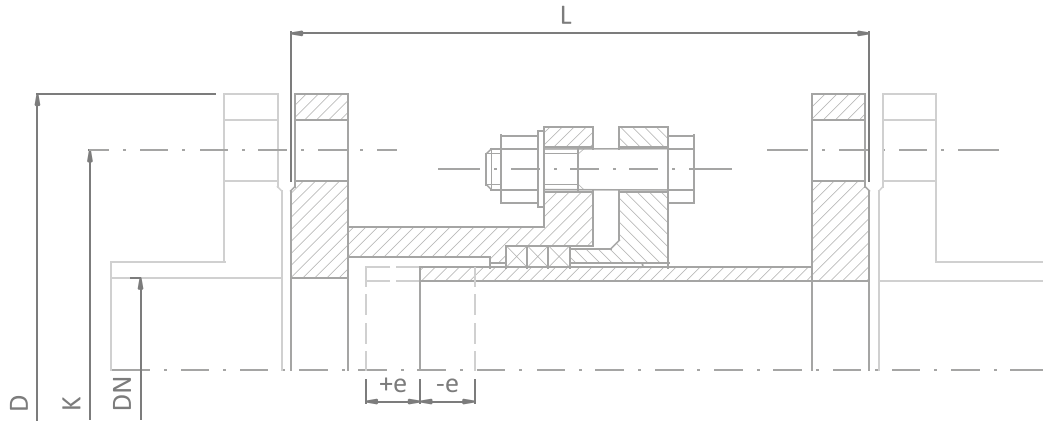
PN-EN 1092-1

Design dimensions based on PN10

DN [mm]	Face to face L [mm]	Axial compensation e +/- [mm]	Outside diameter D [mm]	Pitch circle diameter K [mm]	Number of connection holes [pcs.]	Connection holes diameter [mm]	Weight [kg]
50	450	100	165	125	4	18	15
65	450	100	185	145	4	18	18
80	470	100	200	160	8	18	23
100	490	100	220	180	8	18	25
125	510	100	250	210	8	18	34
150	540	100	285	240	8	23	43
200	540	100	340	295	8	23	63
250	580	100	395	350	12	23	85
300	660	100	445	400	12	23	110
350	660	100	505	460	16	23	134
400	680	100	565	515	16	27	170
450	680	100	615	565	20	27	194
500	690	100	670	620	20	27	224
600	690	100	780	725	20	30	290
700	710	100	895	840	24	30	382
800	710	100	1015	950	24	33	444
900	730	100	1115	1050	28	33	510
1000	740	100	1230	1160	28	36	614
1200	780	100	1455	1380	32	39	950
1400	800	100	1675	1590	36	42	1220
1600	860	100	1915	1820	40	42	1670
1800	890	100	2115	1820	40	48	1780

Other versions available on special order.

Dismantling joint type KPD/DS2



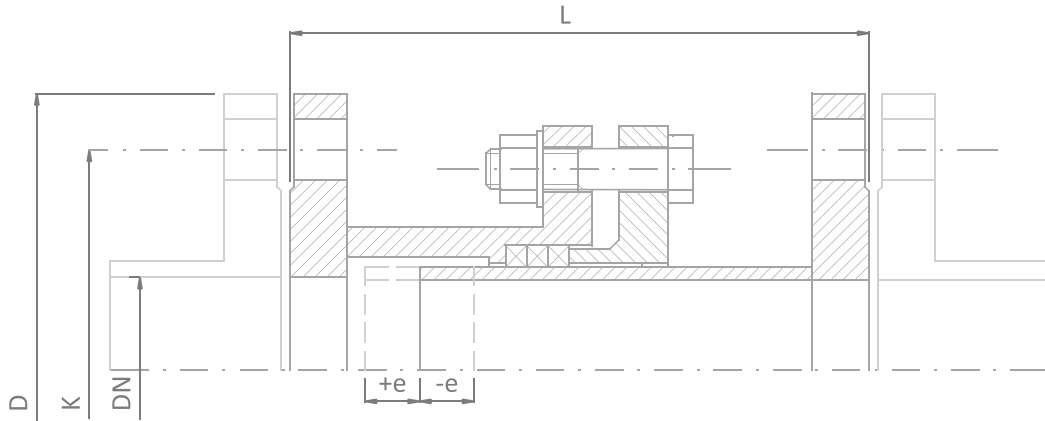
PN-EN 1092-1

Design dimensions based on PN16

DN [mm]	Face to face L [mm]	Axial compensation e +/- [mm]	Outside diameter D [mm]	Pitch circle diameter K [mm]	Number of connection holes [pcs.]	Connection holes diameter [mm]	Weight [kg]
50	450	100	165	125	4	18	15
65	450	100	185	145	4	18	18
80	470	100	200	160	8	18	23
100	490	100	220	180	8	18	25
125	510	100	250	210	8	18	34
150	540	100	285	240	8	23	43
200	540	100	340	295	12	23	63
250	580	100	405	355	12	27	86
300	660	100	460	410	12	27	116
350	660	100	520	470	16	27	142
400	680	100	580	525	16	30	182
450	680	100	640	585	20	30	210
500	690	100	715	650	20	33	237
600	690	100	840	770	20	36	314
700	710	100	910	840	24	36	405
800	710	100	1025	950	24	39	470
900	730	100	1125	1050	28	39	535
1000	740	100	1255	1170	28	42	680
1200	780	100	1485	1390	32	48	980
1400	800	100	1685	1590	36	48	1270

Other versions available on special order.

Dismantling joint type KPD/DS2



PN-EN 1092-1

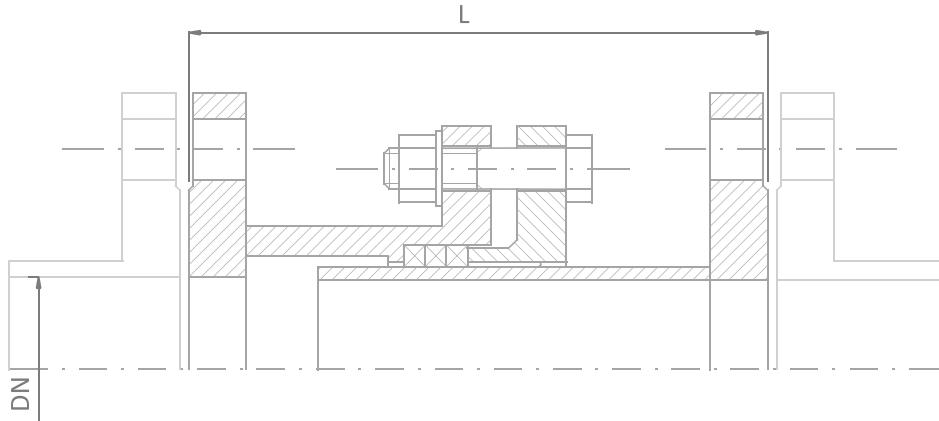
Design dimensions based on PN25

DN [mm]	Face to face L [mm]	Axial compensation e +/- [mm]	Outside diameter D [mm]	Pitch circle diameter K [mm]	Number of connection holes [pcs.]	Connection holes diameter [mm]	Weight [kg]
50	450	100	165	125	4	18	17
65	450	100	185	145	4	18	19
80	470	100	200	160	8	18	23
100	490	100	235	190	8	23	26
125	510	100	270	220	8	27	36
150	540	100	300	250	8	27	46
200	540	100	360	310	12	30	70
250	580	100	425	370	12	30	96
300	660	100	485	430	12	33	128
350	660	100	555	490	16	36	167
400	680	100	620	550	16	36	212
500	690	100	730	660	20	36	310
600	690	100	845	770	20	39	370
700	710	100	960	875	24	42	505
800	710	100	1085	990	24	48	656
900	730	100	1185	1090	28	48	800
1000	740	100	1320	1210	28	55	1019

Other versions available on special order.



Dismantling joint type KPD/DS2 Order form



Material*:

1. Carbon steel (S235JR/S355JR or others), with one of available coatings: epoxy/bitumen/galvanized
2. Stainless steel and acid resistant steel (1.4301/1.4541/1.4571 or others)

Standardized elements*:

Galvanized/A2/A4

Seal*:

Graphite/Teflon

Dimensions:

Nominal diameter DN=

Face to face length** L=

* delete as appropriate, other versions available on special order

** only in the case of non-standard variants

REMARKS:

.....

.....

.....

.....

.....

.....

.....



multivalve

Multivalve Sp. z o. o.
44-109 Gliwice, ul. Eiffel'a 6
phone: + 48 32 661 00 00
fax: + 48 32 661 00 01
multivalve@multivalve.pl
www.multivalve.pl

Certyfikat TÜV Rheinland
ISO 9001 – 2008

