



## ➤ STOP LOG TYPE MV-ZSZ

- stop log is used for shutting off or adjusting the flow in channels with drinking water, waste water, cooling water, river water etc.,
- appropriate pressure of beams, guaranteeing their tightness is ensured by a special compression key,
- stop log can also be used to shut off the flow of liquids during repairs done in buildings,
- use of adjusting screws provides a simple and accurate mounting in the grooves,
- FEM-aided individual structural calculations performed for specific operational parameters and places of installation,
- all stainless steel elements undergo etching and passivation by dipping or spraying.

## TECHNICAL DATA

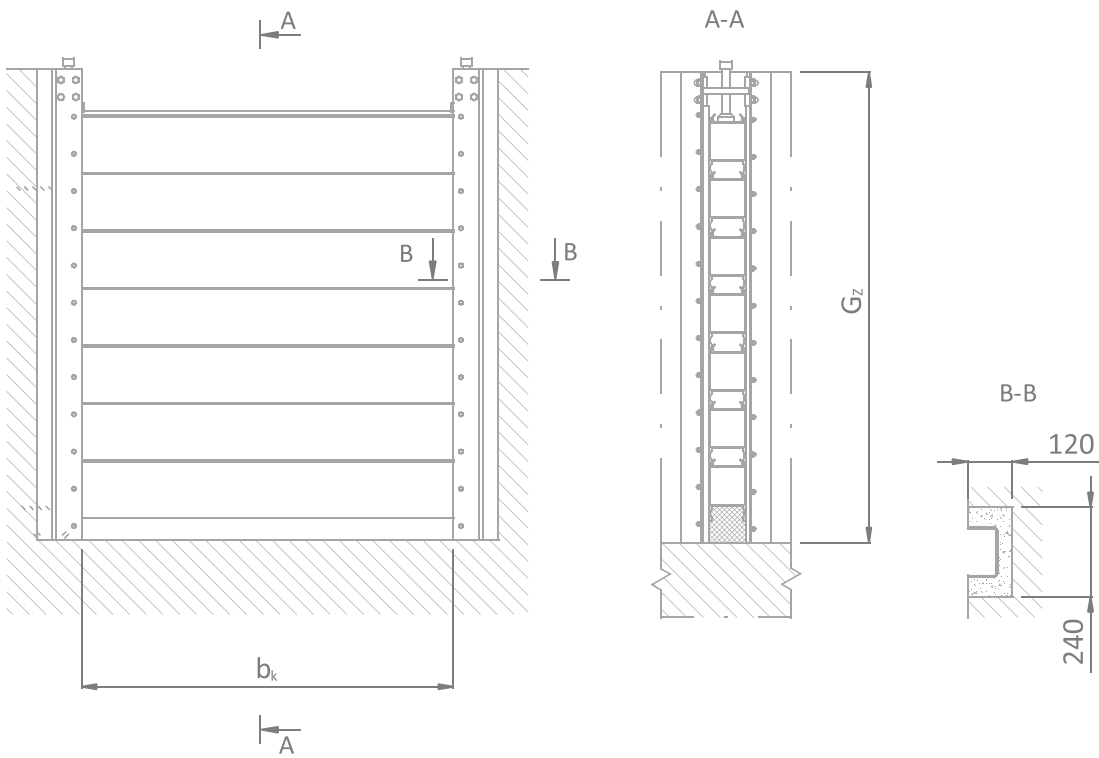
<b>Work pressure:</b>	up to top of the stop log (tightness based on DIN 19569-4, tightness class: 3)
<b>Width: [mm]</b>	up to 6000, widths exceeding 6000 mm require an extra column
<b>Height: [mm]</b>	up to 1500, stop logs of heights exceeding 1500 are made to special orders
<b>Material:</b>	1.4301, 1.4462, 1.4539, 1.4571, Aluminium
<b>Seal:</b>	NBR, EPDM, Viton, etc.



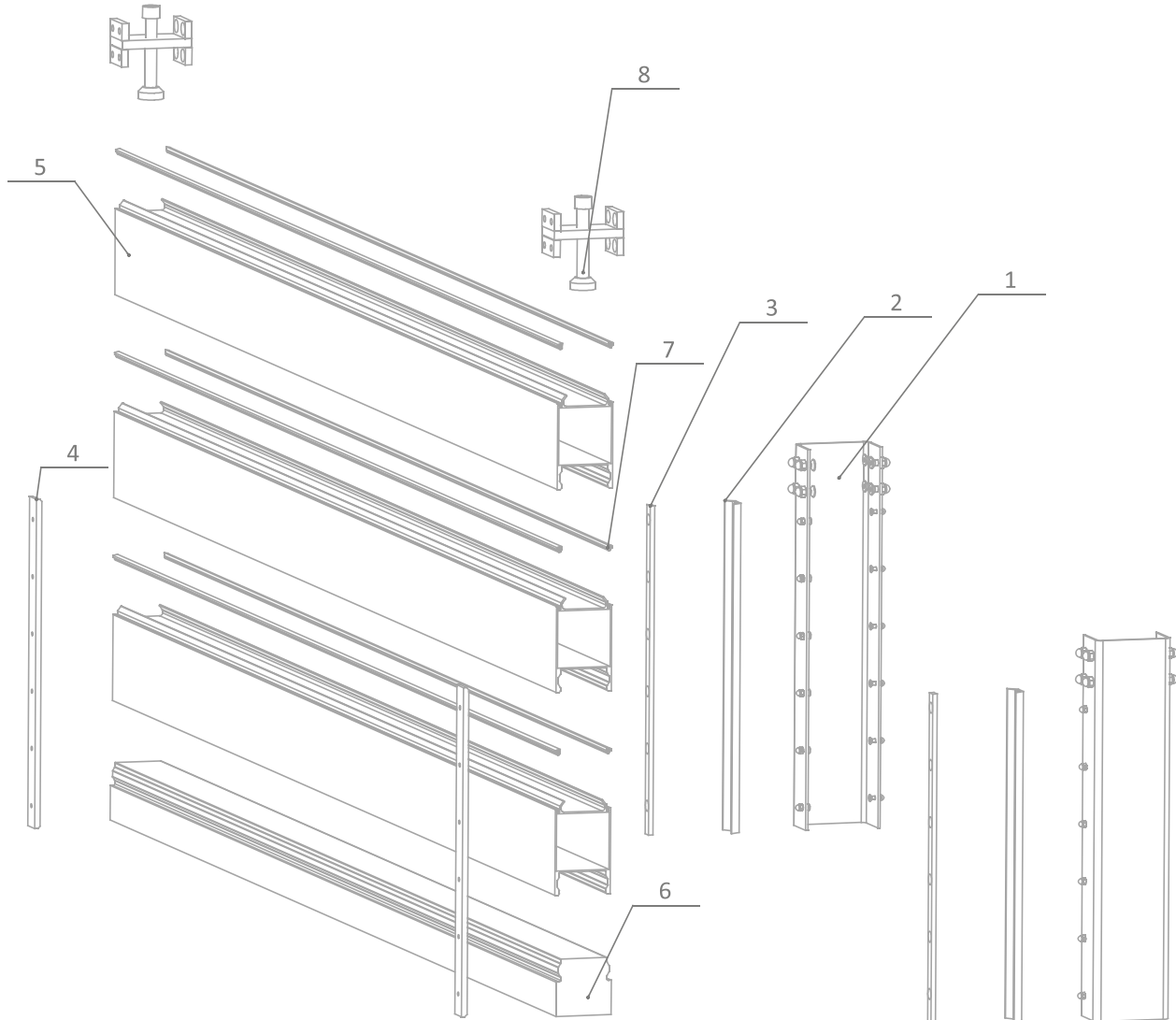
# Stop log type MV-ZSZ

Channel width  $b_k = \dots\dots\dots$

Depth  $G_z = \dots\dots\dots$



## Stop log type MV-ZSZ



No.	Element	Material*
1	End columns	1.4301, 1.4541, 1.4571, Duplex, etc.
2	Seal	NBR, EPDM, Viton
3	Seal holdfast	1.4301, 1.4541, 1.4571, Duplex, etc.
4	Sliders	POM-C or PTFE
5	Beams	1.4301, 1.4462, 1.4539, 1.4571, Aluminium
6	Lower seal	NBR, EPDM, Viton
7	Seal between beams	NBR, EPDM, Viton
8	Compression key	1.4301, 1.4541, 1.4571, Duplex, etc.

\* Delete as appropriate. Other versions available on special order.



multivalve

Multivalve Sp. z o. o.  
44-109 Gliwice, ul. Eiffel'a 6  
phone: + 48 32 661 00 00  
fax: + 48 32 661 00 01  
multivalve@multivalve.pl  
www.multivalve.pl

Certyfikat TÜV Rheinland  
ISO 9001 – 2008

