

## ➤ TILTING FLAP SPILLWAY TYPE MV-PU

- tilting flap spillway is used for shutting off or adjusting the flow in channels with drinking water, waste water, cooling water, river water etc.,
- design featuring heated side walls enables work in all weather conditions,
- FEM-aided individual structural calculations performed for specific operational parameters and places of installation,
- all stainless steel elements undergo etching and passivation by dipping or spraying,
- tilting flap spillway actuator is mounted on a shifted support.

## TECHNICAL DATA

<b>Work pressure:</b>	up to top of the gate (tightness based on DIN 19569-4, tightness class: 3)
<b>Penstock width: [mm]</b>	up to 10000, widths exceeding 10000 are made to special orders
<b>Gate height: [mm]</b>	up to 1500, heights exceeding 1500 mm are made to special orders
<b>Material:</b>	1.4301, 1.4541, 1.4571, Duplex or others
<b>Actuator:</b>	electric, pneumatic, hand actuator, bevel gear
<b>Seal:</b>	NBR, EPDM, Viton or others



## Tilting flap spillway type MV-PU

Channel width  $b_k = \dots\dots\dots$

Gate height  $h_z = \dots\dots\dots$

Depth  $G_z = \dots\dots\dots$

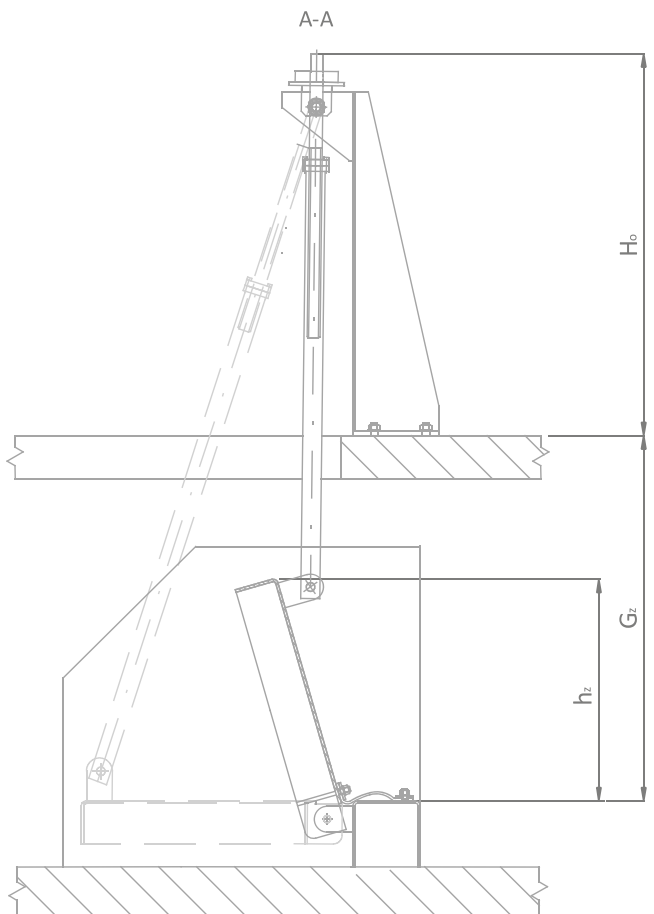
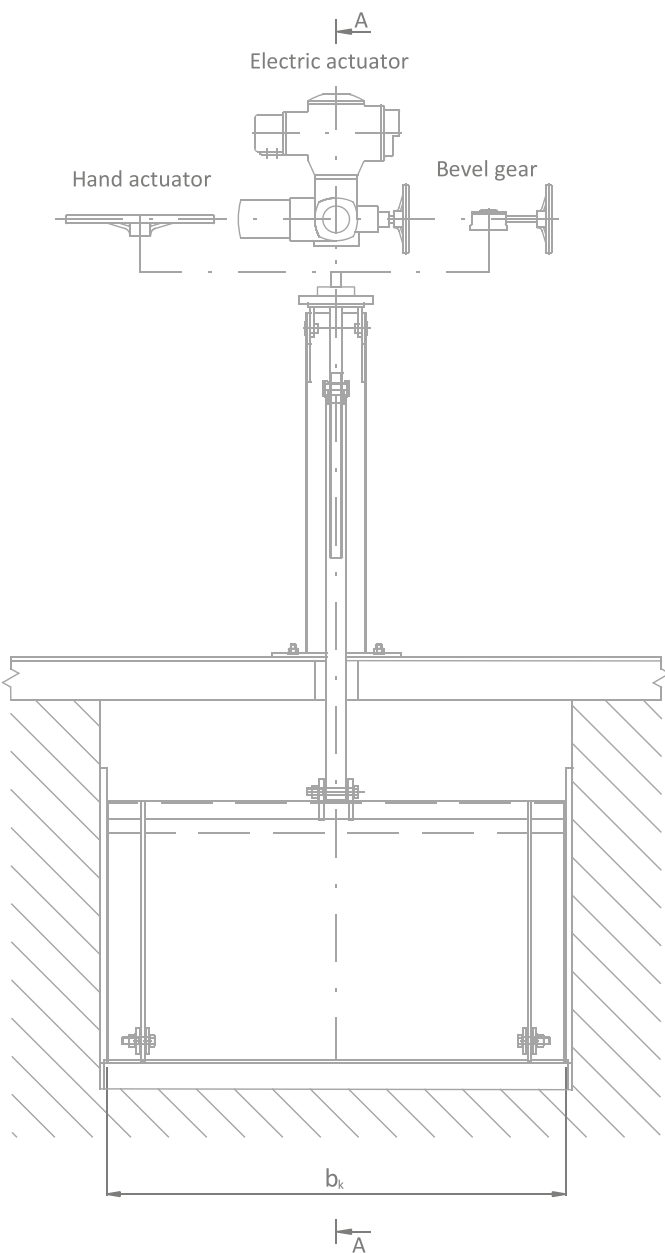
Frame height from operating level  $H_o = \dots\dots\dots$

Actuator:  $\dots\dots\dots$

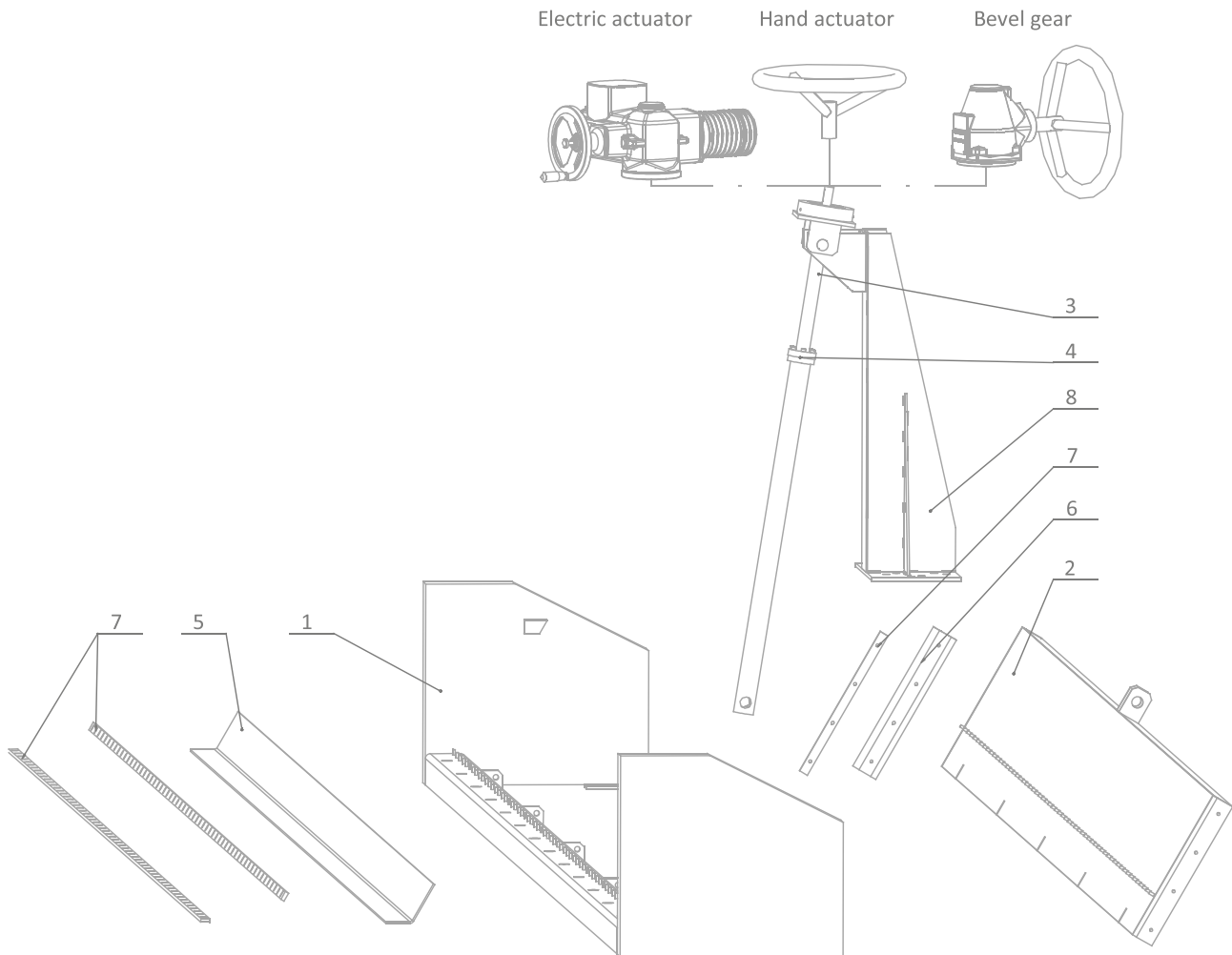
Seal\*:

NBR/EPDM/Viton

\* delete as appropriate



## Tilting flap spillway type MV-PU



No.	Element	Material*
1	Frame	1.4301, 1.4541, 1.4571, Duplex or others
2	Gate	1.4301, 1.4541, 1.4571, Duplex or others
3	Stem	1.4301, 1.4541, 1.4571 or others
4	Stem nut	Self-lubricating brass Rg7
5	Seal	NBR, EPDM, Viton
6	Side seal	POM-C or PTFE
7	Holdfast seal	1.4301, 1.4541, 1.4571, Duplex or others
8	Support	1.4301, 1.4541, 1.4571, Duplex or others

\* Delete as appropriate. Other versions available on special order.



multivalve

Multivalve Sp. z o. o.  
44-109 Gliwice, ul. Eiffel'a 6  
phone: + 48 32 661 00 00  
fax: + 48 32 661 00 01  
multivalve@multivalve.pl  
www.multivalve.pl

Certyfikat TÜV Rheinland  
ISO 9001 – 2008

